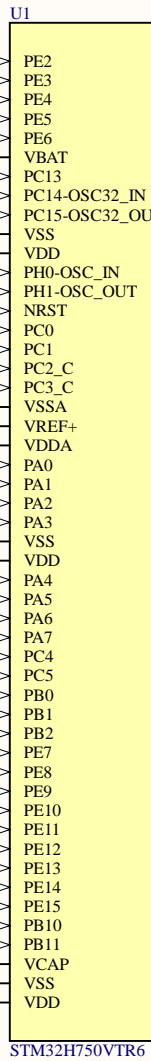
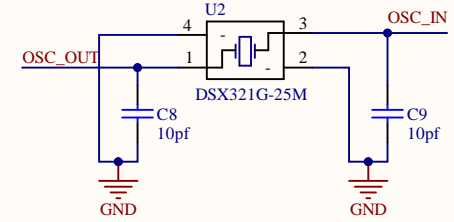


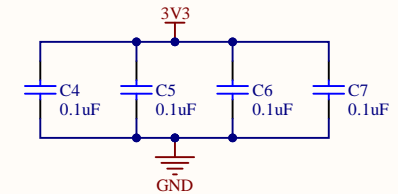
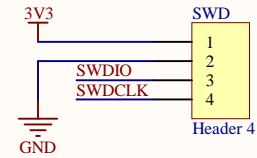
MCU



Crystal oscillator



SWD



Title: **Auto Robo**

Function: **MCU**

Size: **A4**

Number: **1**

Revision: **V1.00**

Date: **2020/12/2**

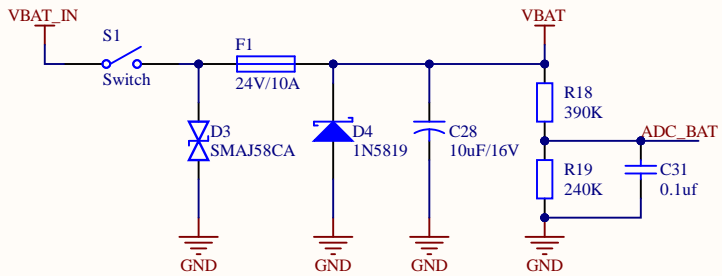
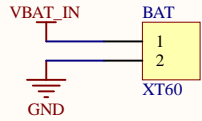
Time: **20:04:25**

Sheet **1** of **4**

Nooploop Ltd
PeiHong Building
KeHui Road
Shen Zhen
China



Notes: *

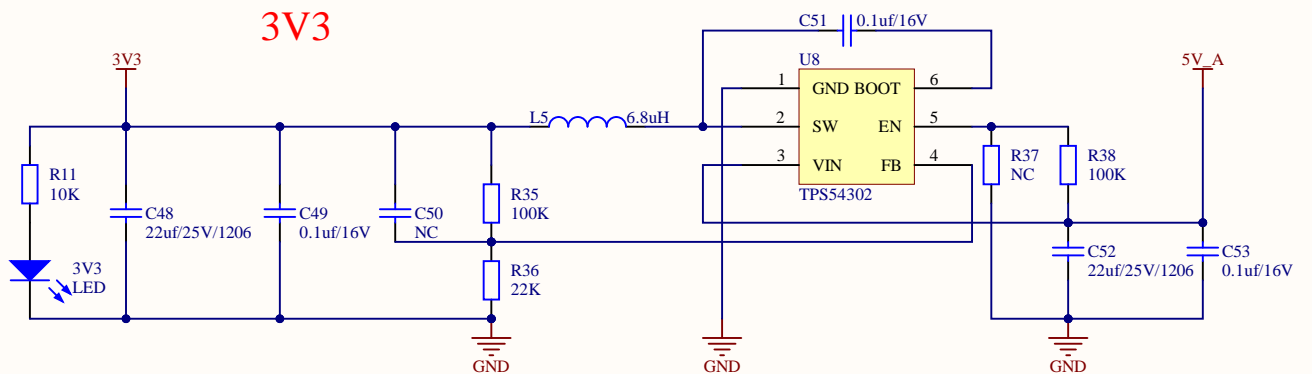
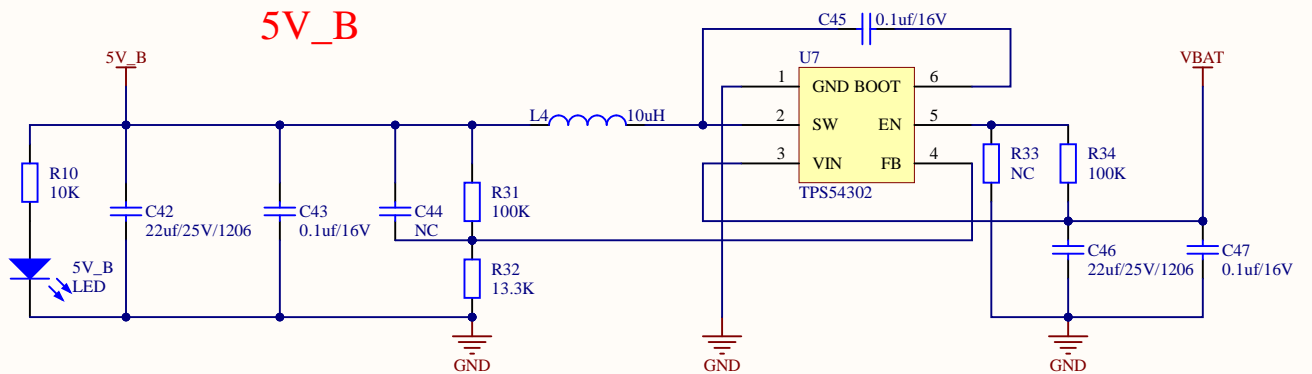
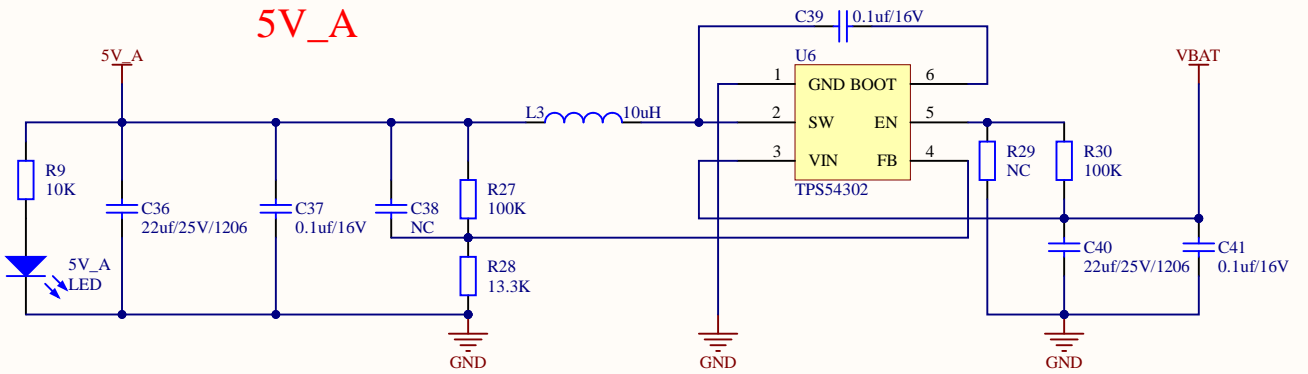


$$5V_A = V_{ref} * (1 + R27/R28)$$

$$5V_B = V_{ref} * (1 + R31/R32)$$

$$3V3 = V_{ref} * (1 + R35/R36)$$

$$V_{ref} = 0.6V$$



Title: **Auto Robo**

Function: **Power Supply & ADC**

Size: **A4**

Number: **2**

Revision: **V1.00**

Date: **2020/12/2**

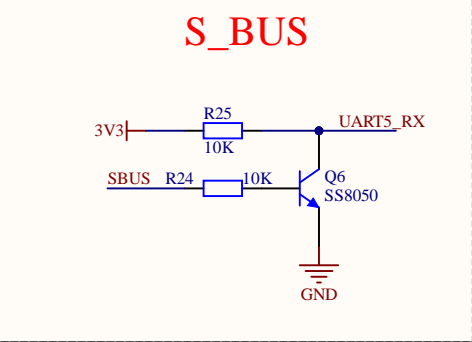
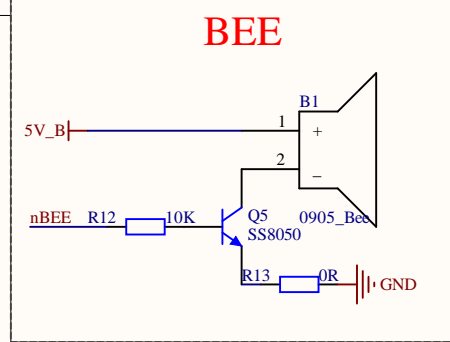
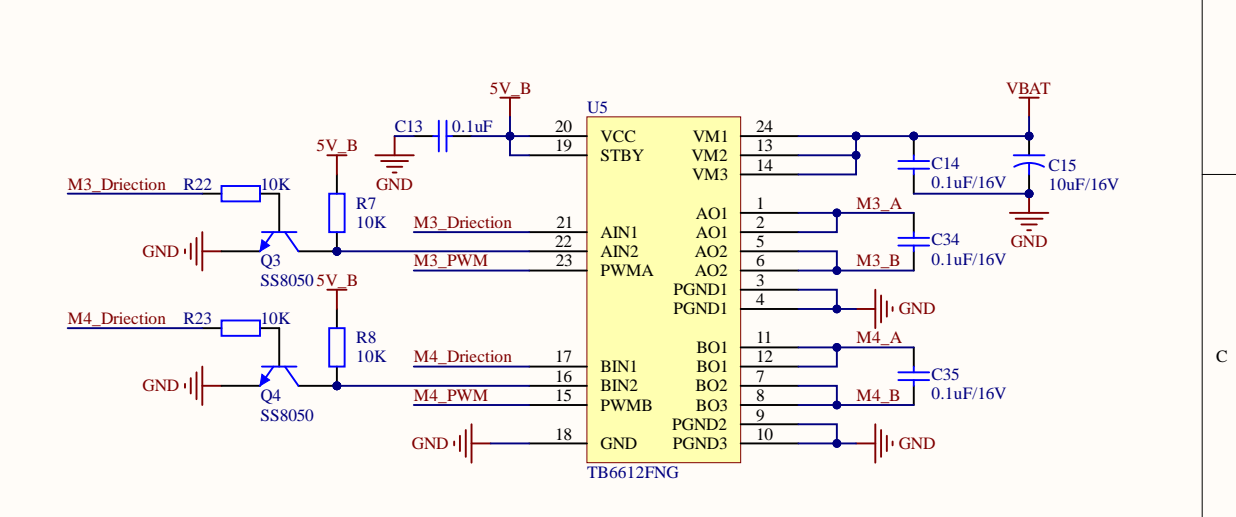
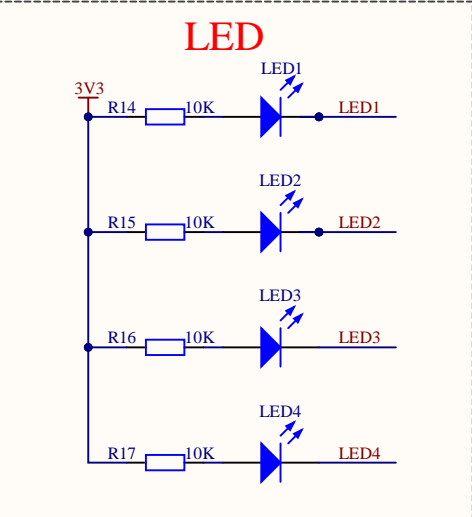
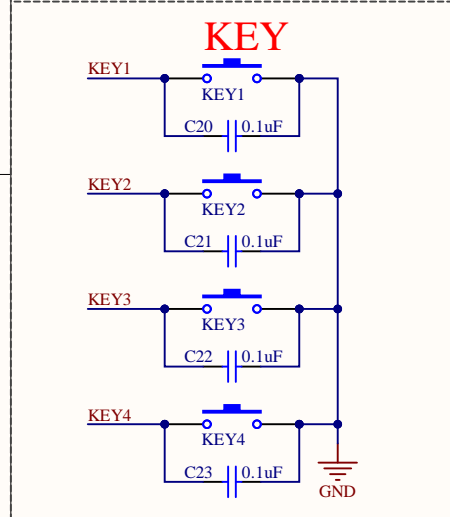
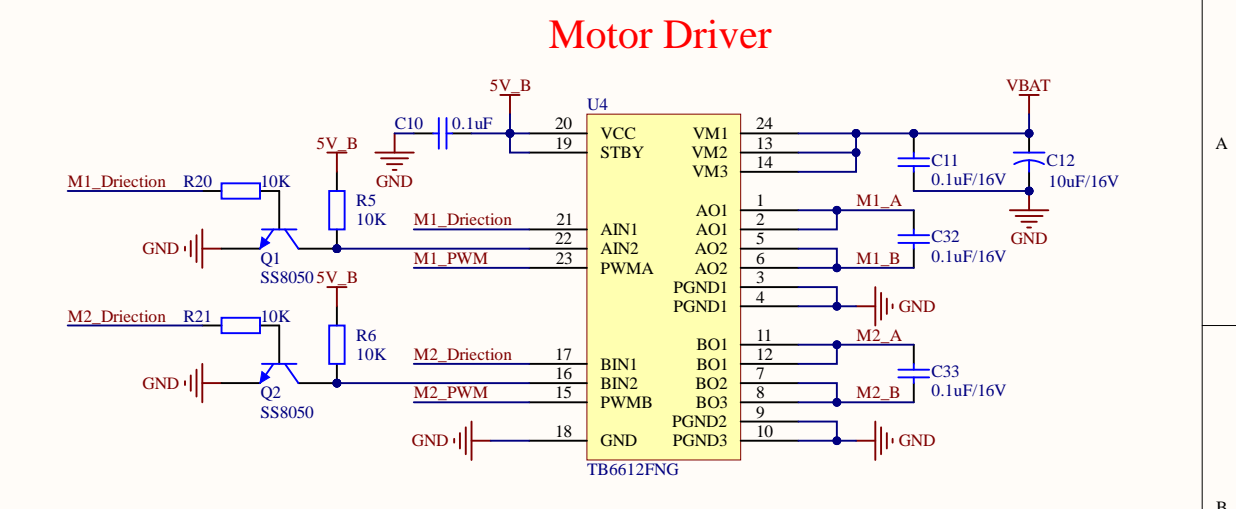
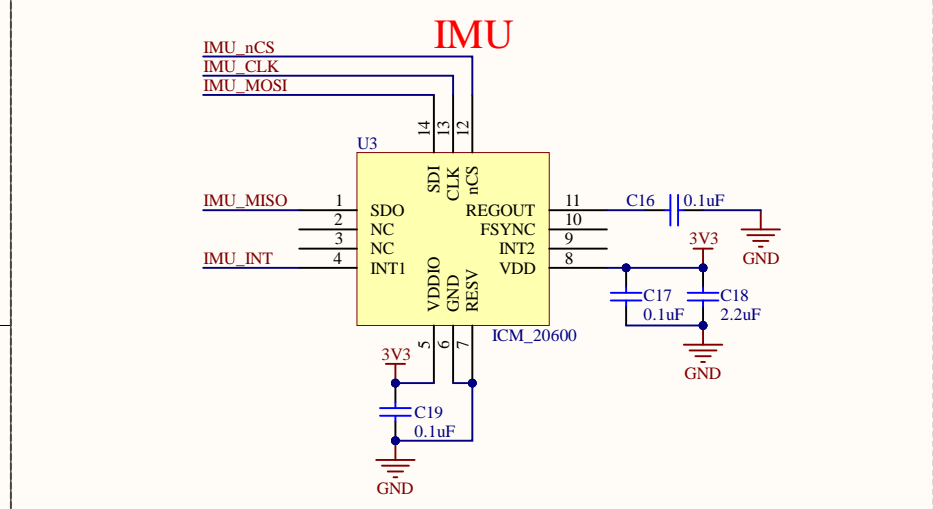
Time: **20:04:35**


Sheet **2** of **4**

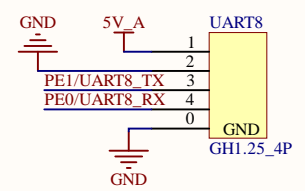
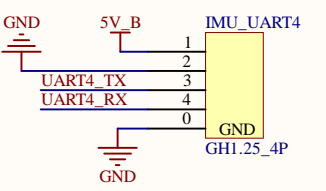
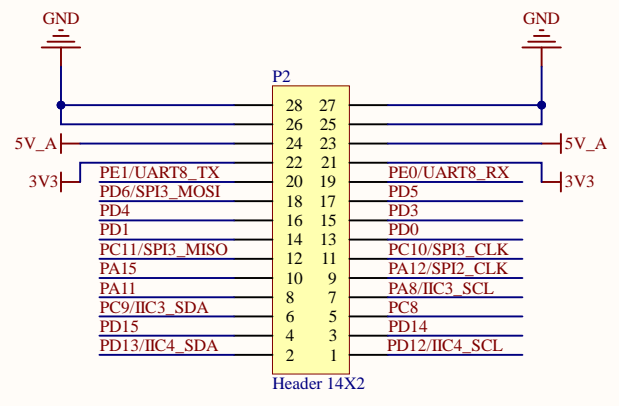
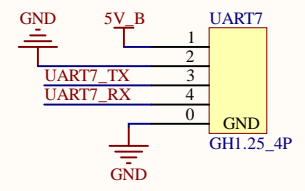
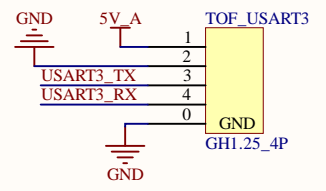
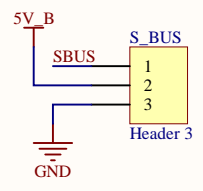
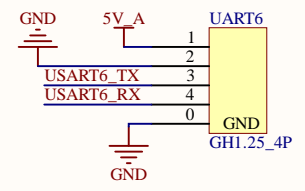
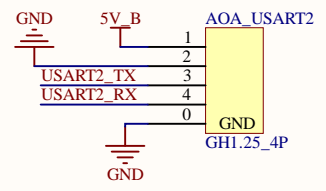
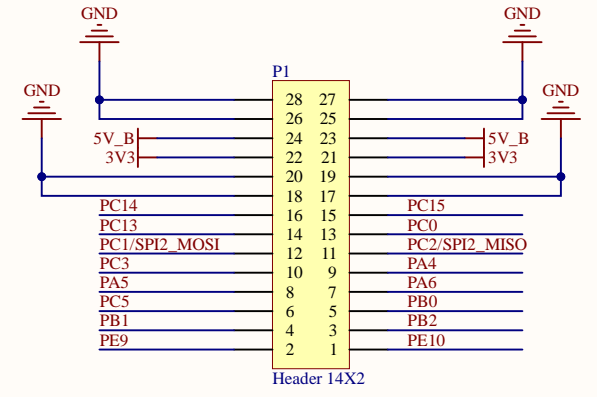
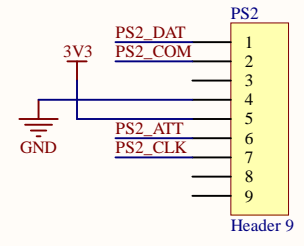
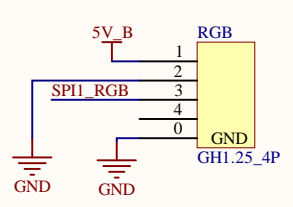
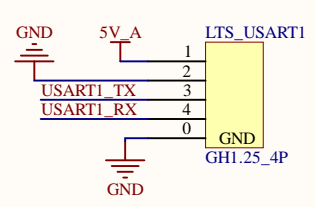
Nooploop Ltd
PeiHong Building
KeHui Road
Shen Zhen
China




Notes: *



Title: Auto Robo			
Function: Peripherals			
Size: A4	Number: 3	Revision: V1.00	
Date: 2020/12/2	Time: 20:04:45	Sheet 3 of 4	
Notes: *			



Title: Auto Robo			
Function: Interfaces			
Size: A4	Number: 4	Revision: V1.00	
Date: 2020/12/2	Time: 20:04:53	Sheet 4 of 4	
Notes: *			