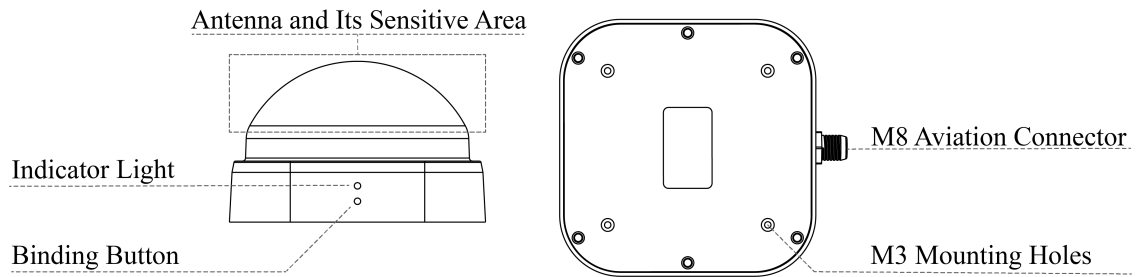


The Follow-Me FM-A1 is a high-precision, single-anchor positioning solution based on UWB technology and Angle of Arrival (AOA) algorithms. Utilizing just a single anchor, it accurately measures both the "distance" and "azimuth " of a target simultaneously, making it an ideal choice for core consumer and industrial scenarios such as smart following and single-anchor localization.



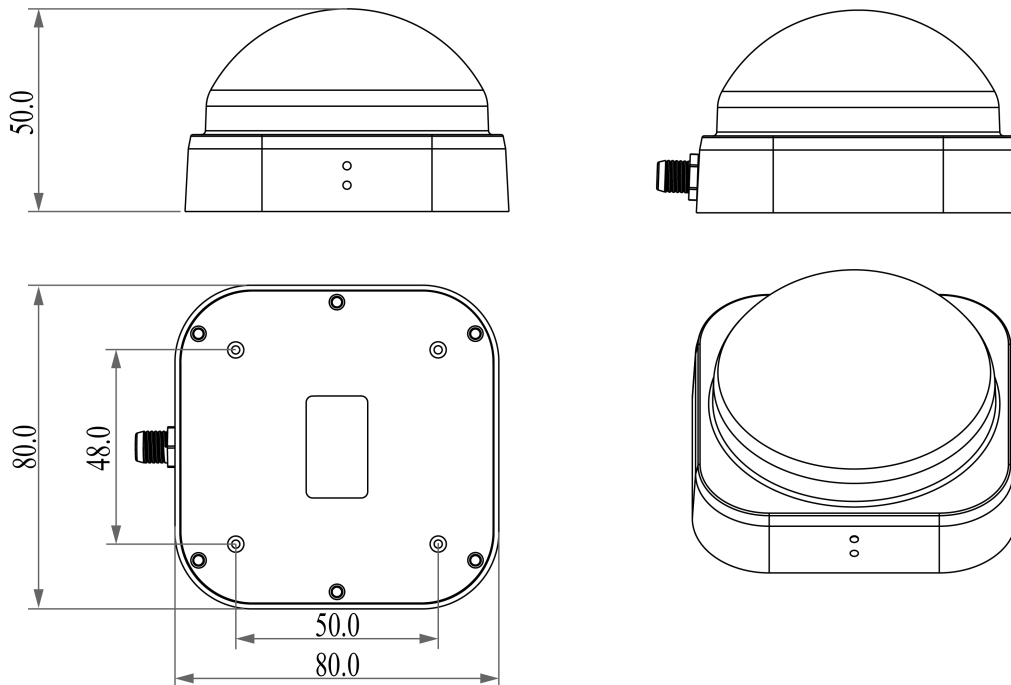
Parameters	Typical
Model	FM-A1
Dimensions	80.0*80.0*50.0mm
Weight	150g
Antenna	Internal Antenna
Wireless Technology	UWB
Center Frequency	8.0GHz
Distance Precision	±5cm
Azimuth Precision	±5°
Refresh Rate	25Hz
Power Supply	5V~36V DC
Power Consumption	270mW@5V
Ingress Protection	IP67
Surge Protection	Differential-mode ±2kV
Interfaces	M8 Aviation Connector
Interaction	Indicator Light, Binding Button

Structure



Dimensions

Unit: mm



Contact

SZ Nooploop Technology Co.,Ltd.

Email: sales@nooploop.com

Tel: [+86-0755-86680090](tel:+86-0755-86680090)

Website: www.nooploop.com