

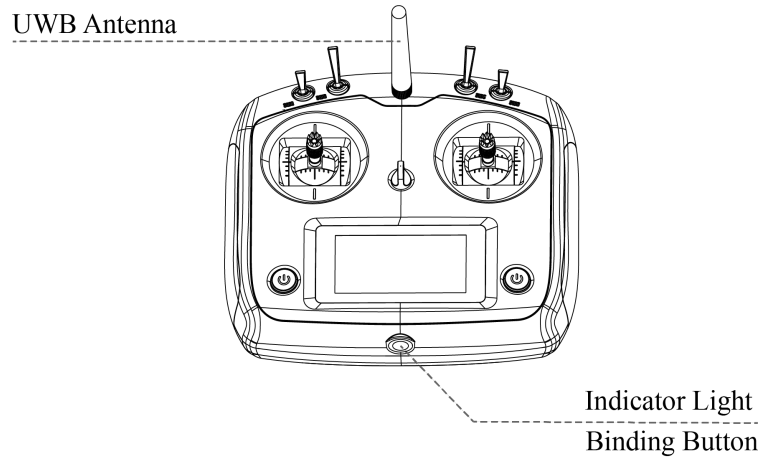
FM-RC1

The Follow-Me FM-RC1 is an RC (Radio Control) transmitter tag solution integrated with UWB technology. Utilizing just a single anchor, the Follow-Me series accurately measures both the "distance" and "azimuth" of a target simultaneously, making it an ideal choice for core consumer and industrial scenarios such as smart following and single-anchor localization.



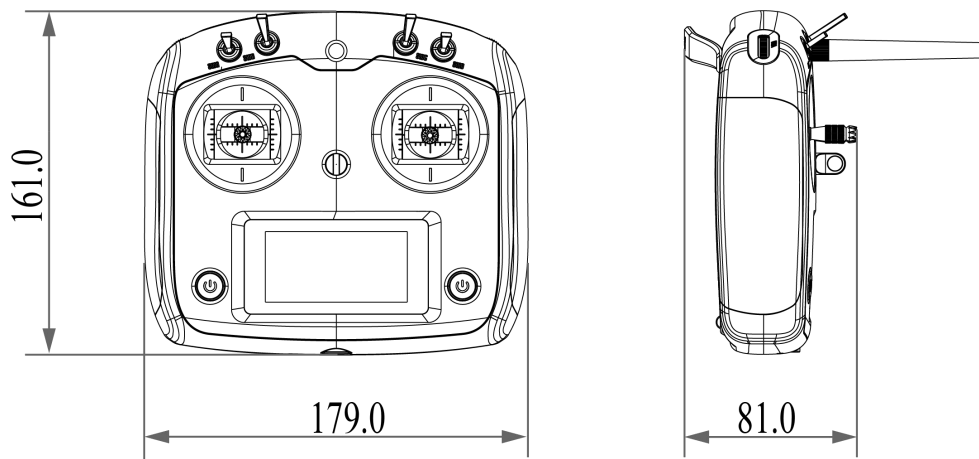
| Parameters | Typical | |
|-----------------------|--|------------------|
| Model | FM-RC1 | |
| Dimensions | 179.0*161.0*81.0mm (Excluding UWB Antenna) | |
| Weight | 550g | |
| Wireless Technology | UWB | 2.4G |
| Center Frequency | 8.0GHz | 2.4GHz |
| Antenna Type | External Antenna | Internal Antenna |
| Range | Typical 20m | Typical 800m |
| RC Channels | 10 | |
| RC Channel Resolution | 4096 | |
| Power Supply | 1.5AA*4 | |
| Interaction | Indicator Light, Binding Button | |

Structure



Dimensions

Unit: mm



Contact

SZ Nooploop Technology Co.,Ltd.

Email: sales@nooploop.com

Tel: [+86-0755-86680090](tel:+86-0755-86680090)

Website: www.nooploop.com