

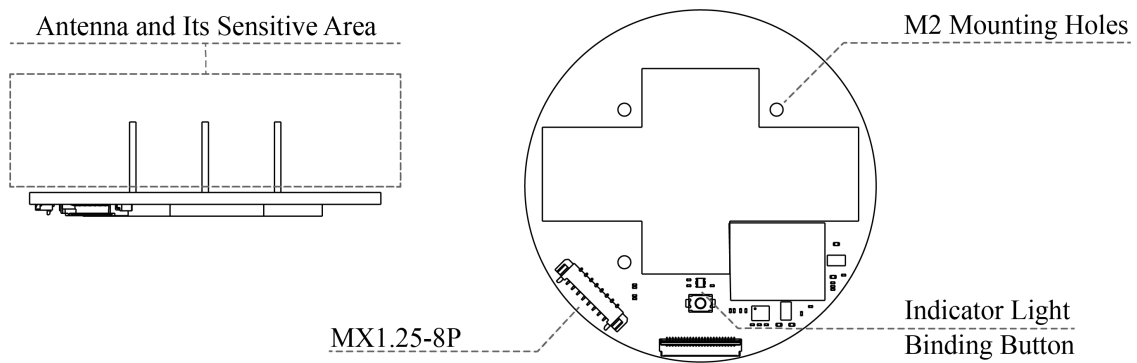
The Follow-Me FMM-A01 module is a high-precision, single-anchor positioning solution based on UWB technology and Angle of Arrival (AOA) algorithms. Utilizing just a single anchor, it accurately measures both the "distance" and "azimuth" of a target simultaneously, making it an ideal choice for core consumer and industrial scenarios such as smart following and single-anchor localization.

## FMM-A01



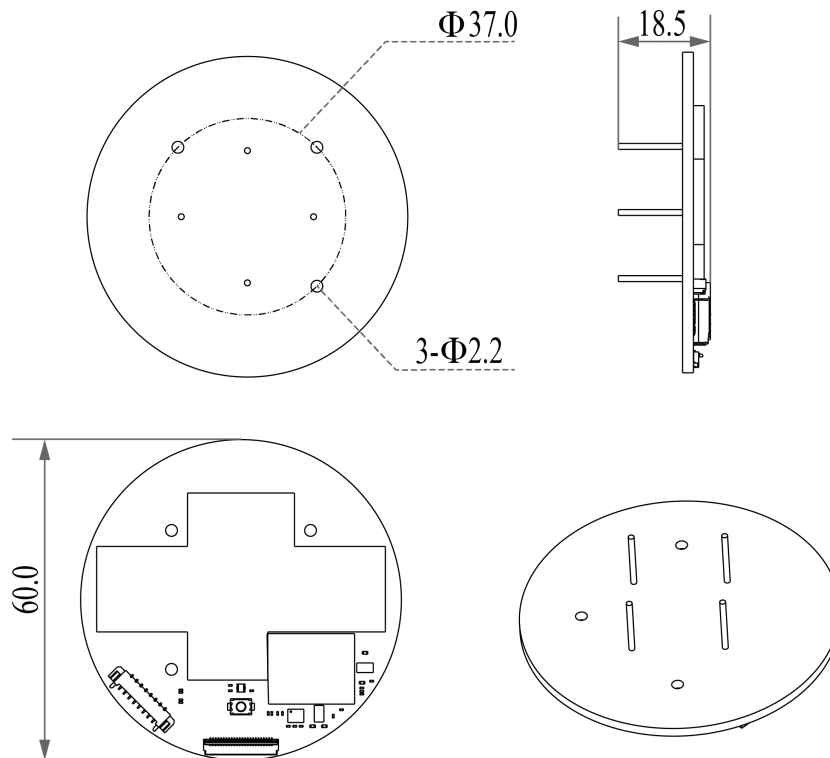
Parameters	Typical
Model	FMM-A01
Dimensions	Φ60.0*18.5mm
Weight	17g
Wireless Technology	UWB
Positioning Technology	AOA
Center Frequency	8.0GHz
Distance Precision	±5cm
Azimuth Precision	±5°
Refresh Rate	25Hz
Power Supply	3.3V~5.5V DC
Power Consumption	240mW@3.3V
Interfaces	MX1.25-8P
Interaction	Indicator Light, Binding Button

## Structure



## Dimensions

Unit: mm



## Contact

SZ Nooploop Technology Co.,Ltd.

Email: [sales@nooploop.com](mailto:sales@nooploop.com)

Tel: [+86-0755-86680090](tel:+86-0755-86680090)

Website: [www.nooploop.com](http://www.nooploop.com)