

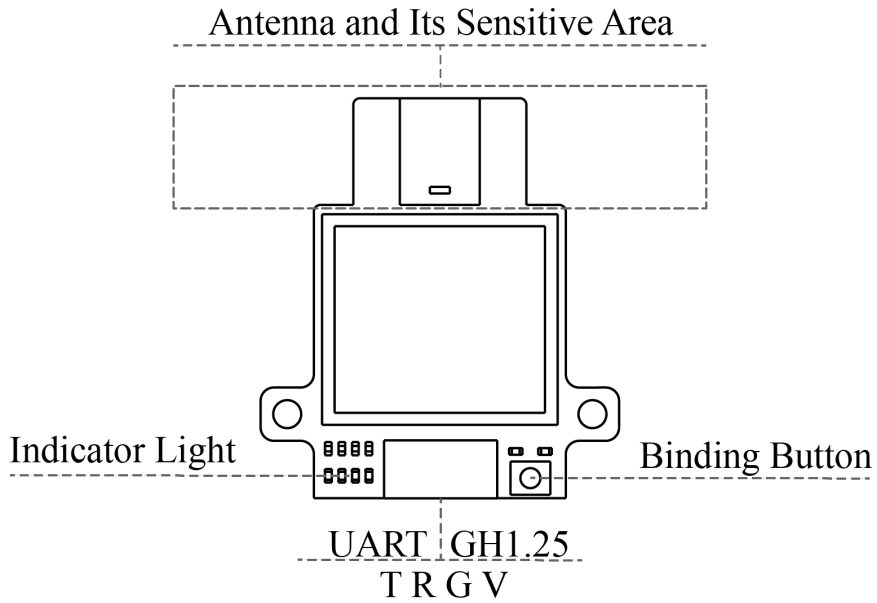
FMM-T01

The Follow-Me FMM-T01 is a transmitter tag solution based on UWB technology. Utilizing just a single anchor, the Follow-Me series accurately measures both the "distance" and "azimuth" of a target simultaneously, making it an ideal choice for core consumer and industrial scenarios such as smart following and single-anchor localization.



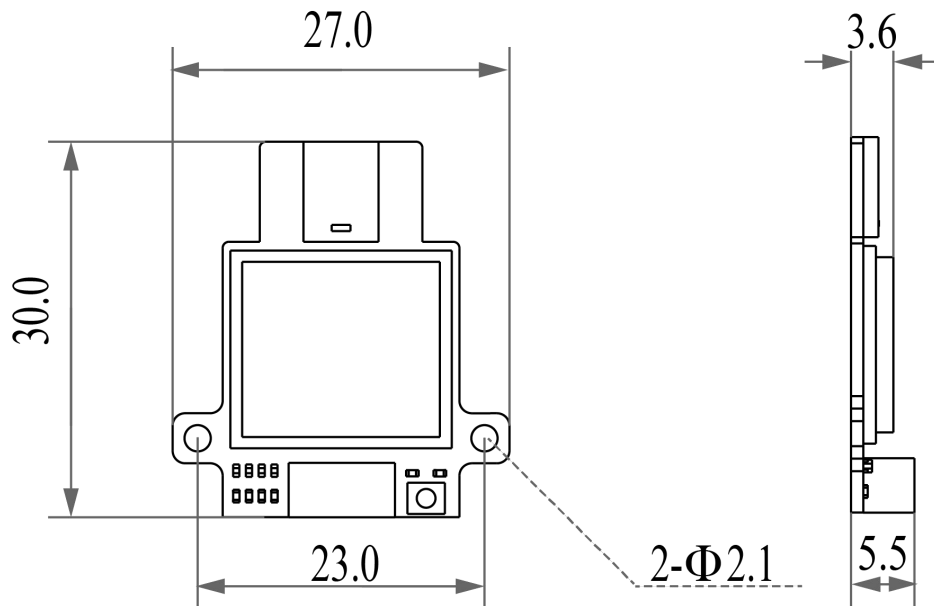
Parameters	Typical
Model	FMM-T01
Dimensions	30.0*27.0*5.5mm
Weight	5g
Wireless Technology	UWB
Positioning Technology	AOA
Center Frequency	8.0GHz
Range	Typical 20m
Power Supply	3.3V~5.5V DC
Refresh Rate	25Hz
Power Consumption	30mW@3.3V
Interfaces	GH1.25-4P
Interaction	Indicator Light, Binding Button

Structure



Dimensions

Unit: mm



Contact

SZ Nooploop Technology Co.,Ltd.

Email: sales@nooploop.com

Tel: +86-0755-86680090

Website: www.nooploop.com