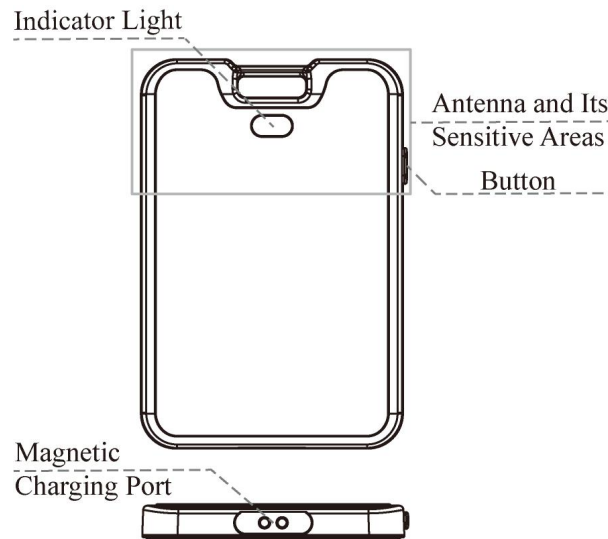


T01 is a passive tags integrated LiPo battery in the IPS, designed by Nooploop independently. T01 is in the form of a work card, support external lanyard. It is mainly used in personnel positioning occasions.



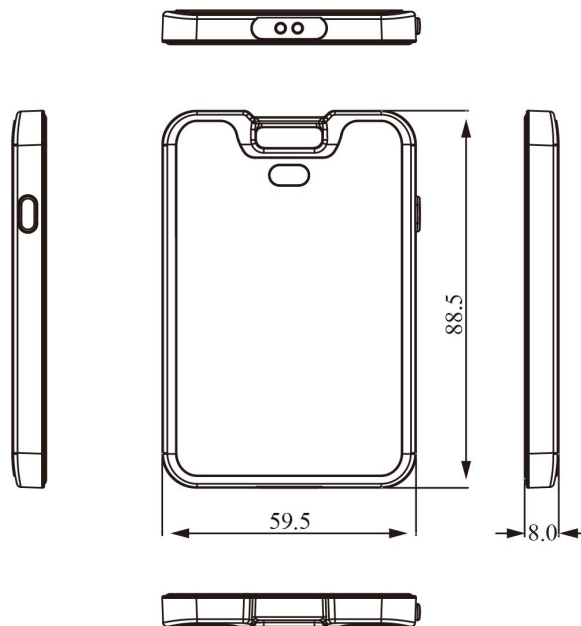
| Parameters            | Typical  |
|-----------------------|--|
| Model                 | T01  |
| Antenna               | Internal Antenna   |
| Weight                | 51g  |
| Dimensions            | 59.5*88.5*8.0mm  |
| Shell Material        | ABS  |
| Battery Life          | 9 months@ 1Hz<br>Note: Data is come from testing by Nooploop, actual usage time may vary depending on user case. |
| UWB RF CH             | CH5: 6489.6MHz<br>CH9: 7987.2MHz   |
| Channel Bandwidth     | 499.2MHz   |
| RF TX Power           | [-46, -15]dBm/MHz@6.5G<br>[-42, -14]dBm/MHz@8.0G   |
| Cold Start Time       | 1s   |
| Operating Temperature | -20°C ~ 60°C   |
| Storage Temperature   | -40°C ~ 85°C   |
| Operating Humidity    | 10% ~ 90% non-condensing   |
| Ingress Protection    | IP66   |
| Interaction           | Indicator Light, Button  |

## Structure



## Dimensions

Unit: mm



Note: The actual size may vary according to the manufacturing process and measurement method.  
Please refer to the actual product.

## Contact

**SZ Nooploop Technology Co.,Ltd.**

**Email:** [sales@nooploop.com](mailto:sales@nooploop.com)

**Tel:** [+86-0755-86680090](tel:+86-0755-86680090)

**Website:** [www.nooploop.com](http://www.nooploop.com)