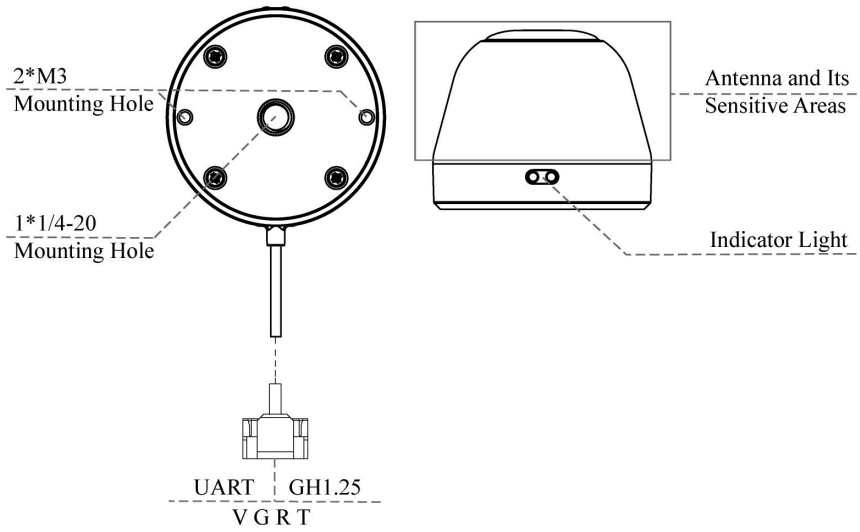


T07 is a passive tags in the IPS Indoor Positioning System, designed by Nooploop independently. T07 has a modular structure and requires an external 5V power supply. It can be directly installed on robots and is primarily used for robot positioning.



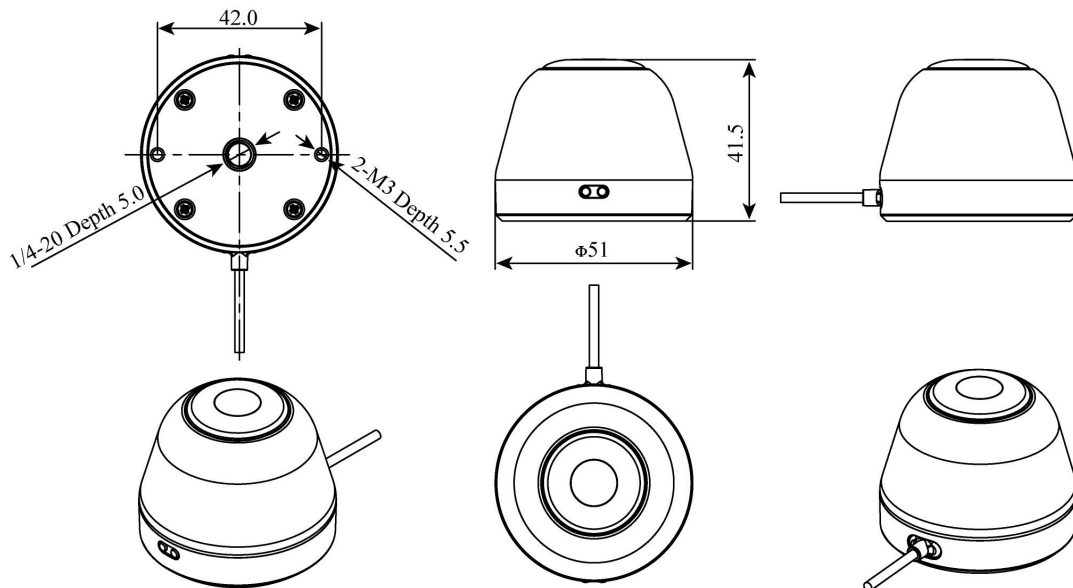
Parameters	Typical
Model	T07
Antenna	Internal Antenna
Weight	31g
Dimensions	Φ51*41.5mm
Shell Material	ABS
Communication Interface	UART
Supply Voltage	3.6~6.0V
Power Consumption	8.5mW@1Hz
UWB RF CH	CH5: 6489.6MHz CH9: 7987.2MHz
Channel Bandwidth	499.2MHz
TX Power	[-46, -15]dBm/MHz@6.5G [-42, -14]dBm/MHz@8.0G
Cold Start Time	1s
Operating Temperature	-40°C ~ 75°C
Storage Temperature	-40°C ~ 85°C
Operating Humidity	10% ~ 90% non-condensing
Ingress Protection	IP66
Interaction	Indicator Light

Structure



Dimensions

Unit: mm



Note: The actual size may vary according to the manufacturing process and measurement method. Please refer to the actual product.

Contact

SZ Nooploop Technology Co.,Ltd.

Email: sales@nooploop.com

Tel: [+86-0755-86680090](tel:+86-0755-86680090)

Website: www.nooploop.com