

The uBeacon UWB beacon positioning system is a system level solution based on UWB positioning technology, with a positioning accuracy of up to 10cm. BlockTag is a rechargeable tag that includes Li-Po. It can transmit positioning data back through a gateway and includes interactive features. Applicable to personnel, equipment, forklifts, etc.

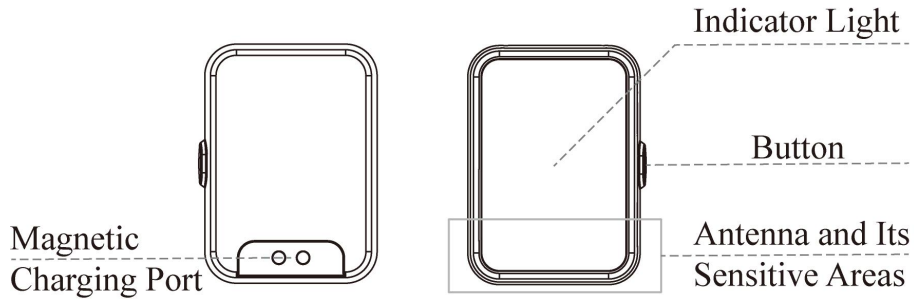
## *BlockTag*



<b>Parameters</b>	<b>Typical</b>
Model	BlockTag
Dimensions	39.5*28.5*10.0mm
Weight	15g
Antenna	Internal Antenna
Wireless Technology	UWB
Positioning Technology	DL-TDOA
Working Frequency	8.0GHz
Networking Method	MESH
Battery Life	1~4weeks <sup>[1]</sup>
Power	Rechargeable Li-Po, Magnetic Charging
Alarm	Light, Vibration
Functions	Static Detection, SOS
Protection	IP65
Operating Temperature	-20°C ~ 60°C
Storage Temperature	-40°C ~ 70°C

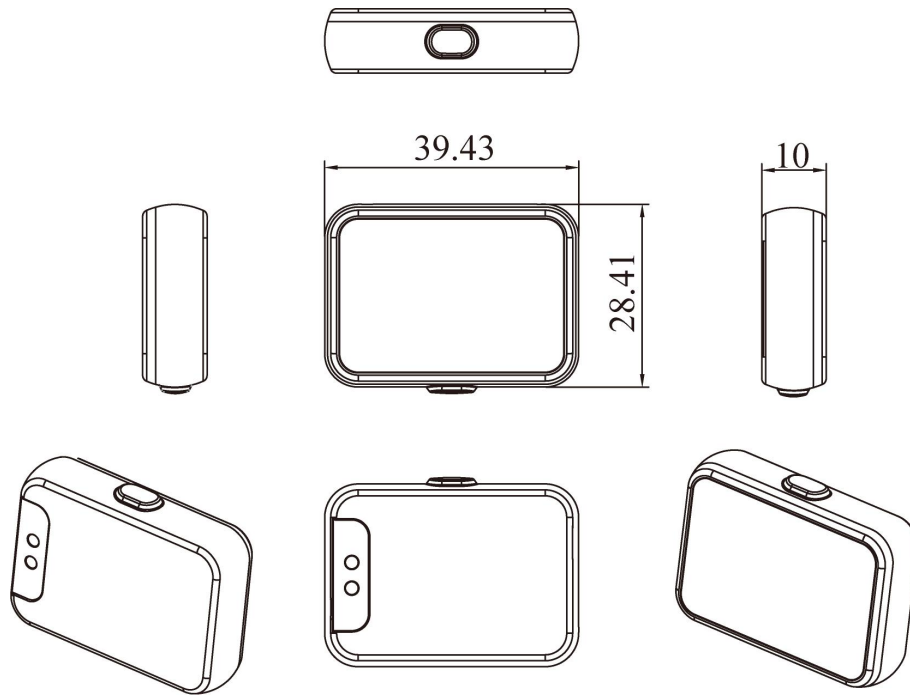
[1] 1Hz positioning frequency, room temperature environment. Actual battery life and consumption is related to the usage environment. The relationship between the quantity of simultaneously connected uBeacons corresponding to tag power consumption and battery life: 4 uBeacons - 4weeks, typical quantity of uBeacons - 2weeks, the maximum quantity of uBeacons - 1 week.

## Structure



## Dimensions

Unit: mm



## Contact

SZ Nooploop Technology Co.,Ltd.

Email: [sales@nooploop.com](mailto:sales@nooploop.com)

Tel: [+86-0755-86680090](tel:+86-0755-86680090)

Website: [www.nooploop.com](http://www.nooploop.com)