

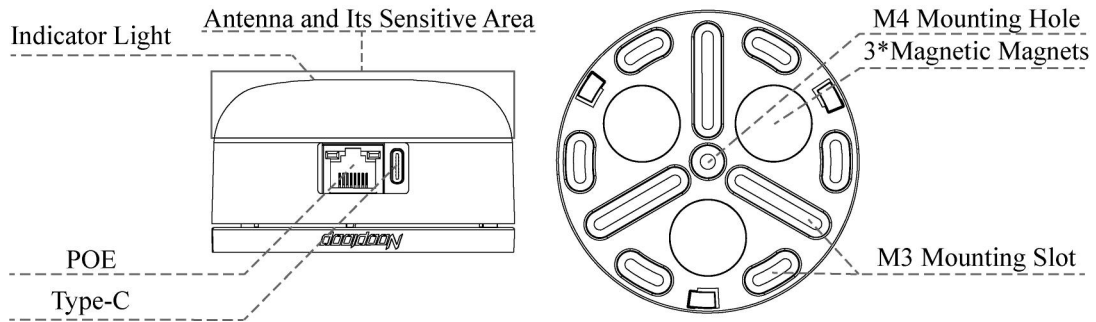
## G1P

The uBeacon UWB beacon positioning system is a system level solution based on UWB positioning technology, with a positioning accuracy of up to 10cm. Gateway G1P is installed in a fixed position. It is used for deployment configuration, monitoring and maintenance of beacons. It is a bridge for the interaction of beacon and console data.



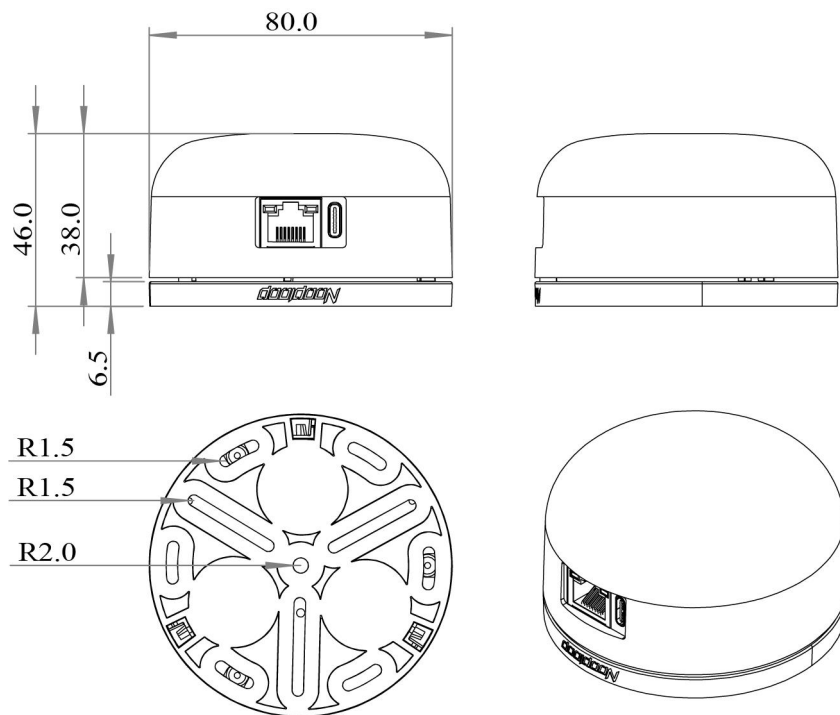
Parameters	Typical
Model	G1P
Dimensions	Φ80*46mm
Weight	85g
Communication Interface	Type-C USB/POE Ethernet
Wireless Technology	UWB
Working Frequency	8.0GHz
Coverage Radius	Open Space 100m
Networking Method	MESH
Power Supply	Type-C/POE
Protection	IPx3
Operating Temperature	-30°C ~ 70°C
Storage Temperature	-40°C ~ 70°C

## Structure



## Dimensions

Unit: mm



## Contact

SZ Nooploop Technology Co.,Ltd.

Email: [sales@nooploop.com](mailto:sales@nooploop.com)

Tel: [+86-0755-86680090](tel:+86-0755-86680090)

Website: [www.nooploop.com](http://www.nooploop.com)