

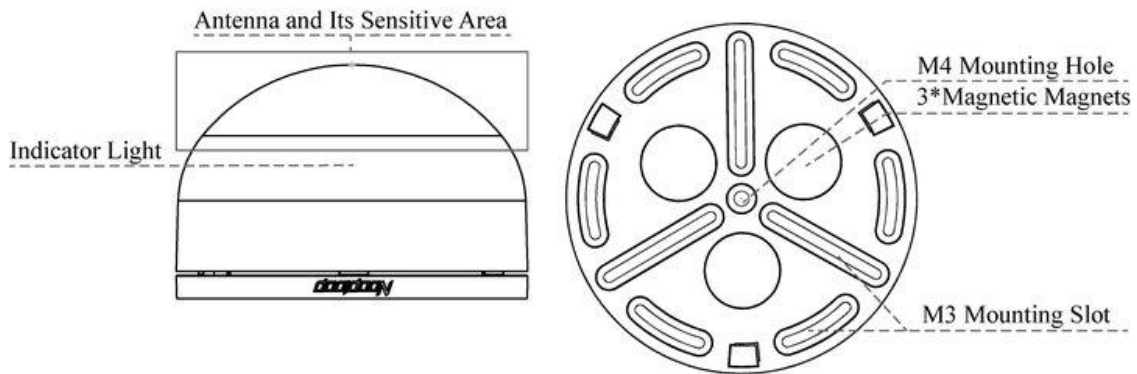
The uBeacon UWB beacon positioning system is a system level solution based on UWB positioning technology, with a positioning accuracy of up to 10cm. The positioning beacon has unlimited capacity, and it has ultra-low power consumption characteristics to achieve ultra long endurance and no wiring deployment. It is suitable for scenarios such as smart factories, chemical power, exhibition halls, smart supermarkets, smart parking, smart elderly care, and smart hospitals.



Parameters	Typical
Model	U1P
Dimensions	Φ98*65mm
Weight	250g
Antenna	Internal Antenna
Wireless Technology	UWB
Positioning Technology	DL-TDOA
Working Frequency	8.0GHz
Coverage Radius	Typical 50m, Open Space 100m
Networking Method	MESH
Battery Life	7 years ^[1]
Battery Replacement	Officially provided services
Protection	IP67
Operating Temperature	-30°C ~ 70°C
Storage Temperature	-40°C ~ 70°C

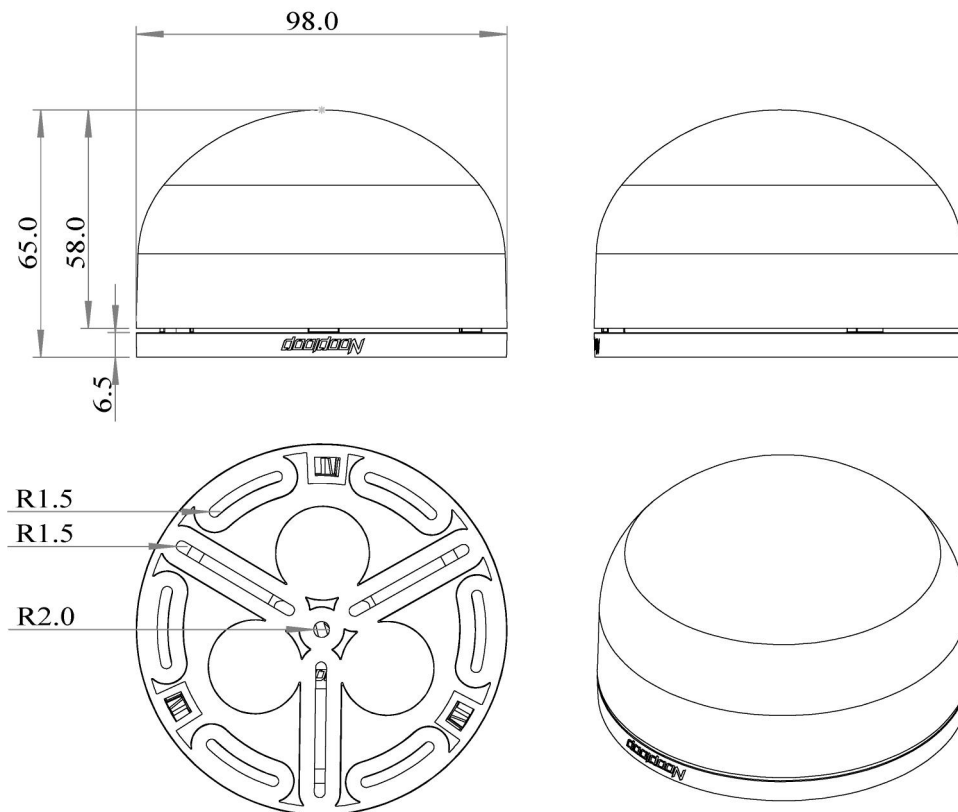
[1] 1Hz positioning frequency, room temperature environment. Actual battery life is related to the usage environment.

Structure



Dimensions

Unit: mm



Contact

SZ Nooploop Technology Co.,Ltd.

Email: sales@nooploop.com

Tel: [+86-0755-86680090](tel:+86-0755-86680090)

Website: www.nooploop.com