

IPS A01 Datasheet V1.0



Content|目录

IPS A01 Datasheet V1.0.....	1
Content 目录.....	2
Disclaimer 免责声明.....	3
1. Introduction 介绍.....	4
2. Typical Specifications 典型规格.....	5
3. Product Structure 产品构造.....	6
4. Size 尺寸.....	7
5. Update Log 更新日志.....	8
6. Further Information 更多信息.....	9

Disclaimer|免责声明

Document Information|文档信息

Nooploop reserves the right to change product specifications without notice. As far as possible changes to functionality and specifications will be issued in product specific errata sheets or in new versions of this document. Customers are advised to check with Nooploop for the most recent updates on this product.

Nooploop 保留更改产品规格的权利，恕不另行通知。尽可能将改变的功能和规格以产品特定勘误表或本文件的新版本发布。建议客户与 Nooploop 一起检查了解该产品的最新动态。

Life Support Policy|生命保障政策

Nooploop products are not authorized for use in safety-critical applications (such as life support) where a failure of the Nooploop product would cause severe personal injury or death. Nooploop customers using or selling Nooploop products in such a manner do so entirely at their own risk and agree to fully indemnify Nooploop and its representatives against any damages arising out of the use of Nooploop products in such safety-critical applications.

Nooploop 产品未被授权用于失效的安全关键应用（如生命支持），在这种应用中，Nooploop 产品的故障可能会导致严重的人身伤害或死亡。以这种方式使用或销售 Nooploop 产品的 Nooploop 客户完全自行承担风险，并同意对 Nooploop 及其代表在此类安全关键应用中使用 Nooploop 产品所造成的任何损害给予充分赔偿。

Regulatory Approvals|管理批准

The IPS series, as supplied from Nooploop, has not been certified for use in any particular geographic region by the appropriate regulatory body governing radio emissions in that region although it is capable of such certification depending on the region and the manner in which it is used. All products developed by the user incorporating the IPS must be approved by the relevant authority governing radio emissions in any given jurisdiction prior to the marketing or sale of such products in that jurisdiction and user bears all responsibility for obtaining such approval as needed from the appropriate authorities.

由 Nooploop 提供的 IPS 系列尚未获得管理该地区无线电发射的适当监管机构的认证，但其能够根据该地区及其使用方式进行认证。用户开发的包含 IPS 的所有产品必须在该管辖区内销售或销售此类产品之前，由管理任何给定管辖区无线电排放的相关主管部门批准，并且用户应根据需要负责获得相关主管部门的批准。

1. Introduction|介绍

A01 是 IPS 室内定位系统中的一款 TDOA (Time difference of Arrival 到达时间差) 通用基站, 由 Nooploop 自主研发。其二维定位最小系统最大有效定位范围可达 50m*50m, 可支持单区域 500 个@1Hz 被动定位标签, 及不限数量的主动定位标签, 可用于工业智能、仓储物流、安全生产、智慧城市、智慧导航等场景。

2. Typical Specifications|典型规格

表 1: 规格参数

型号	A01
天线类型	内置天线
产品重量: g	260.0
天线重量: g	*
产品尺寸: mm	190*190*40
主体颜色	白色
外壳材料	ABS
通信接口	POE
供电	POE(36~57V DC)
功耗: W	1.5
射频通道	CH5, CH9
中心频率: GHz	6.5, 8
频段: MHz	[6240,6739] [7737,8236]
可调发射功率: dBm/MHz	[-46,-15]@6.5G [-42,-14]@8.0G
通讯距离: m	空旷: 150@6.5G, 65&8G 工况: 75@6.5G, 30@8G
冷启动时间: s	1
工作温度	-20 ~ 70°C
存储温度	-40 ~ 85°C
工作湿度	10% ~ 90%无结霜
防护等级	*

3. Product Structure|产品构造

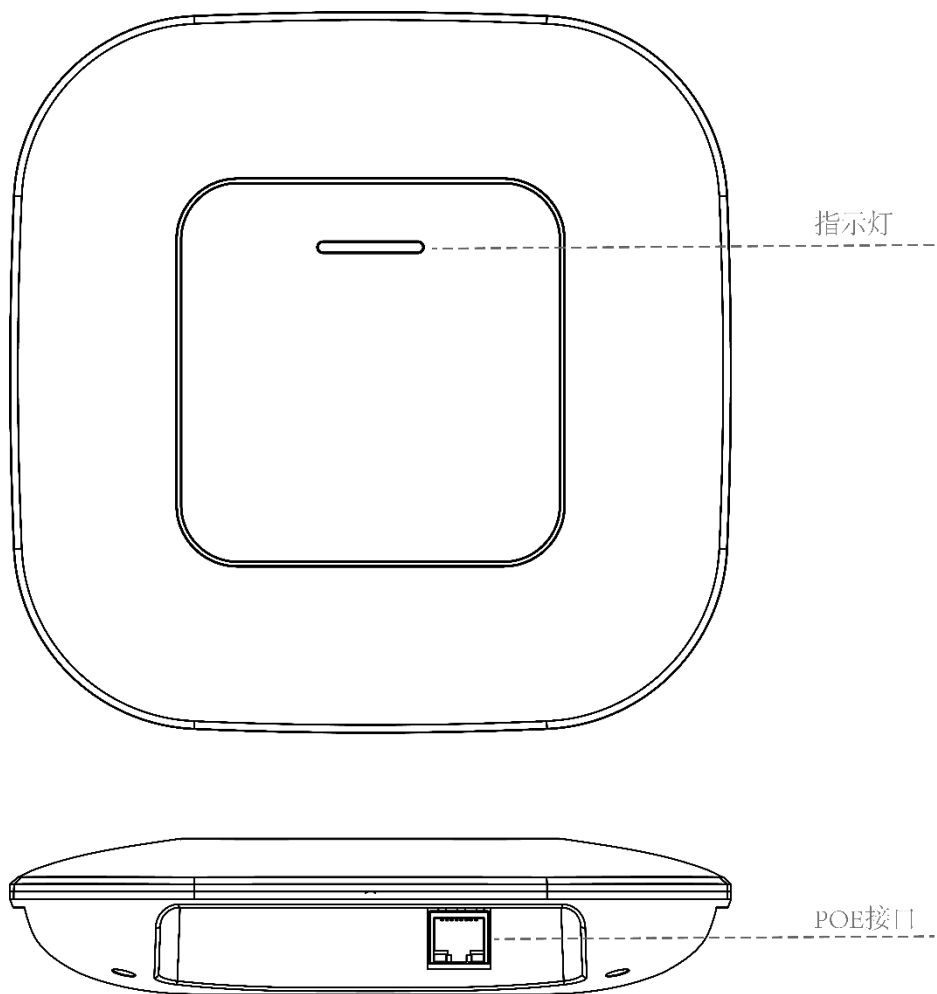


图 1: A01 构造示意图

4. Size|尺寸

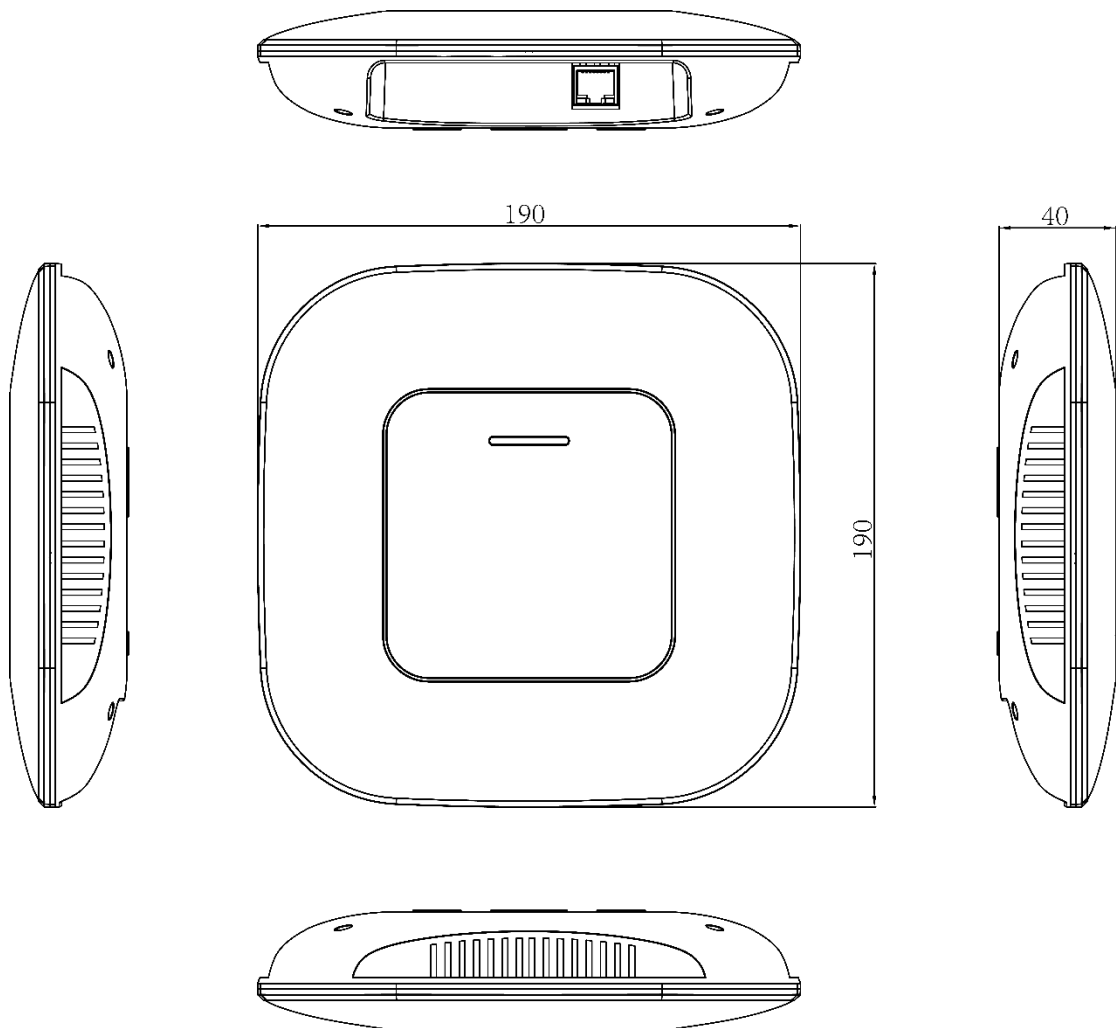


图 2: A01 尺寸图 单位: mm

5. Update Log|更新日志

表 2: 更新日志

Version	Date	Description
1.0	20221118	● 发布出版手册

6. Further Information | 更多信息

公司：深圳空循环科技有限公司

地址：深圳市粤海街道科惠路 1 号沛鸿大厦 A2-207

邮箱：sales@nooploop.com

官网：www.nooploop.com